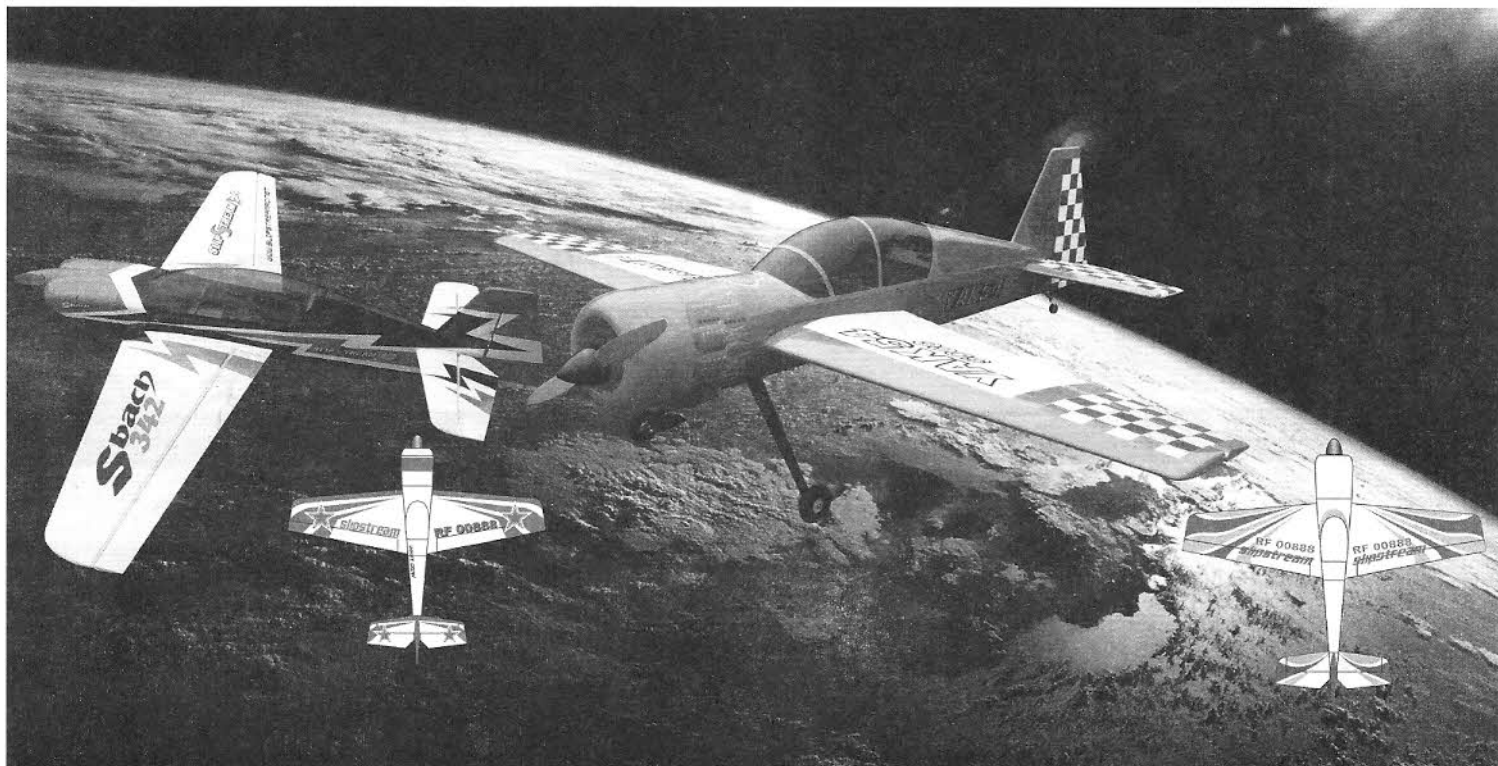


Before beginning assembly, Please read this instruction carefully before assembly.

SLIPSTREAM 
True performance Aircraft
www.slipstreamrc.net

50CC



RADIO CONTROLLED ENGINE POWERED SCALE AIRCRAFT

Safety precautions

1. Do not assemble plane near the children.
2. Please leave enough space for flying, keep safe distance to your surroundings.
3. Please check electronic system before flying; always turn down the speed controller before starting.
4. Keep away from propeller all the time.
5. Do not fly in the bad weather, like strong wind and rainy day.
6. The beginners must be guided by professionals for initial fly.

! Warning!

Operation requirement

Radio Equipment

4ch or above transmitter, standard servo and model remote control device.



12 AA batteries

Engine System

Gas Engine: 50-60CC

Flying and starting supplies



Propeller



Spinner



Fuel Pump



Fuel



Fuel pipe



Filters the mouth



Tigger



Absorption of shock sponge

Glue



Instant Glue



AB Epoxy glue

Tools required



Slanting cuts



Scissors



Pliers



Iron



Drill bit



Knife



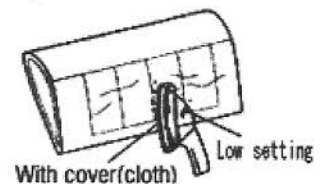
Screwdriver



Adhesive Tape

Before you begin

1. Before the assembly please the careful reading instruction booklet, he can give you the full detail instruction if you are the first contact airplane model public figure, should assemble under the experienced correct instruction!
2. Please inspect in the packing all components, if lacks perhaps the damage, please immediately with dealer relation
3. As a result of weather Temperature The moist change, the model outer covering possibly can appear the phenomenon which relaxes, you may use the package to have a cotton fabric the iron to burn again the outer covering smoothly, but must pay attention to the temperature not to have too to be high



SYMBOLS USED THROUGHOUT THE INSTRUCTION MANUAL



Apply epoxy glue



Ensure smooth non-binding movement while assembling



Must be purchased separately



Apply instant glue



Assemble left and right sides the same way



Cut off shaded portion



Pay close attention here

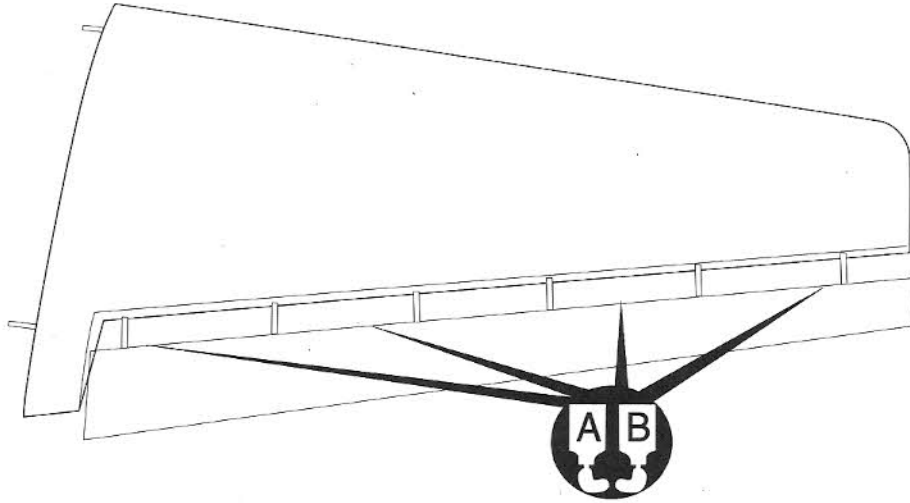


Make hole with awl

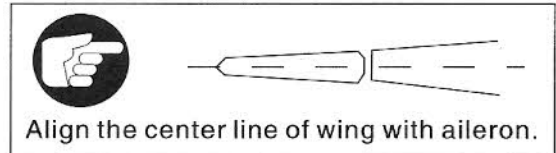
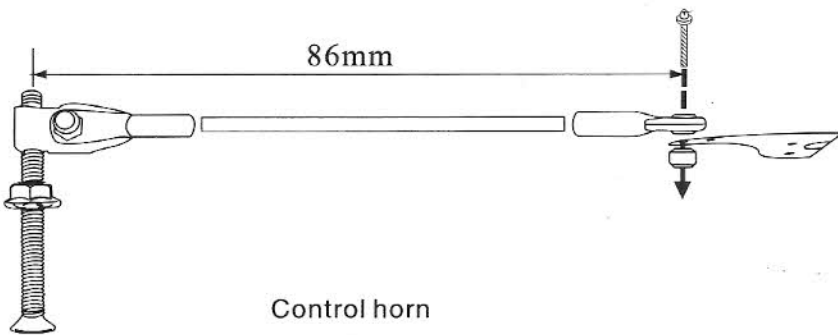
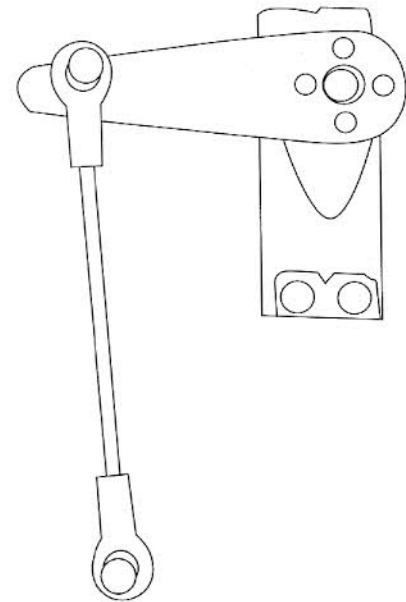
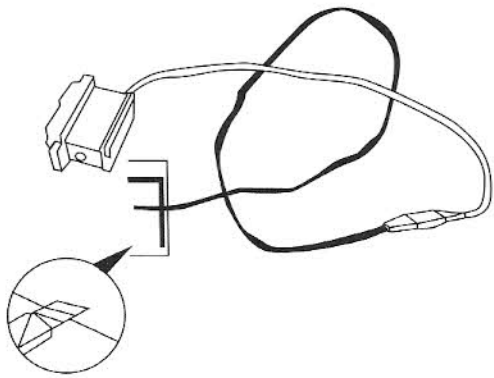


Cut off excess

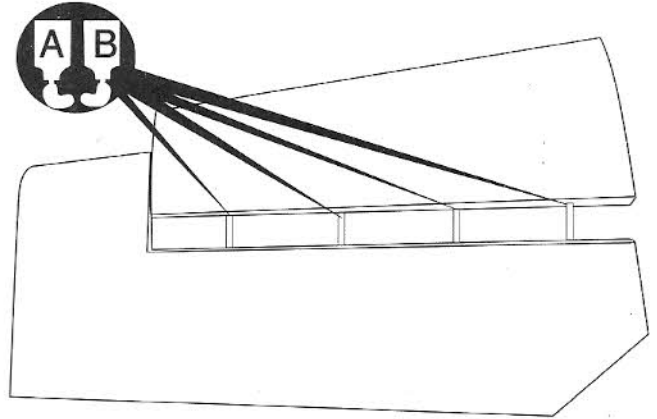
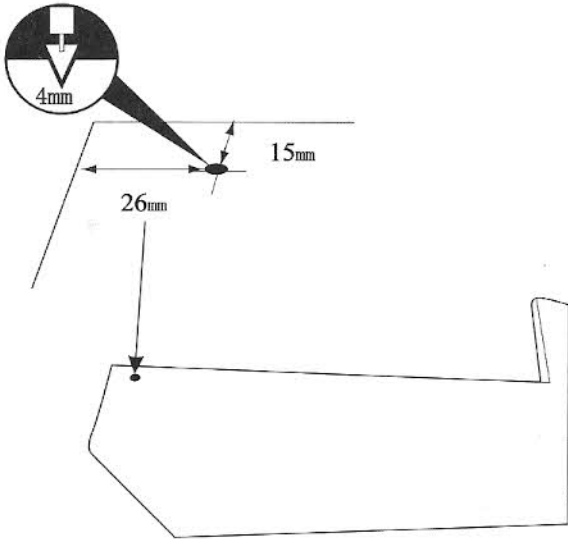
1 Wing



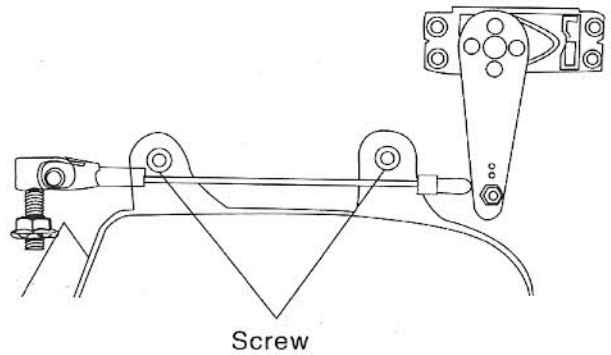
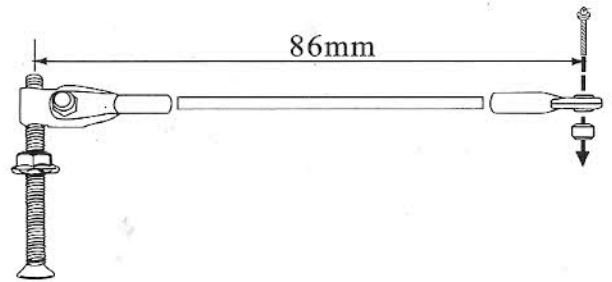
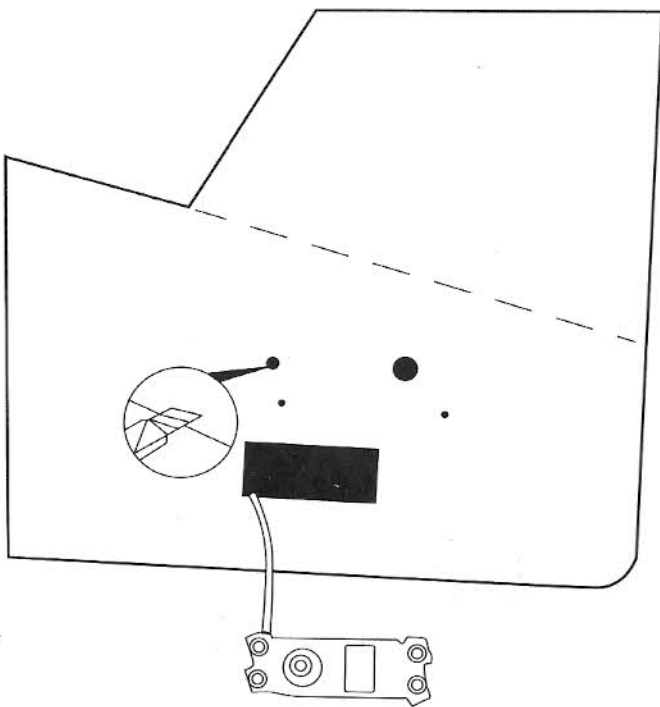
2 Aileron Servo



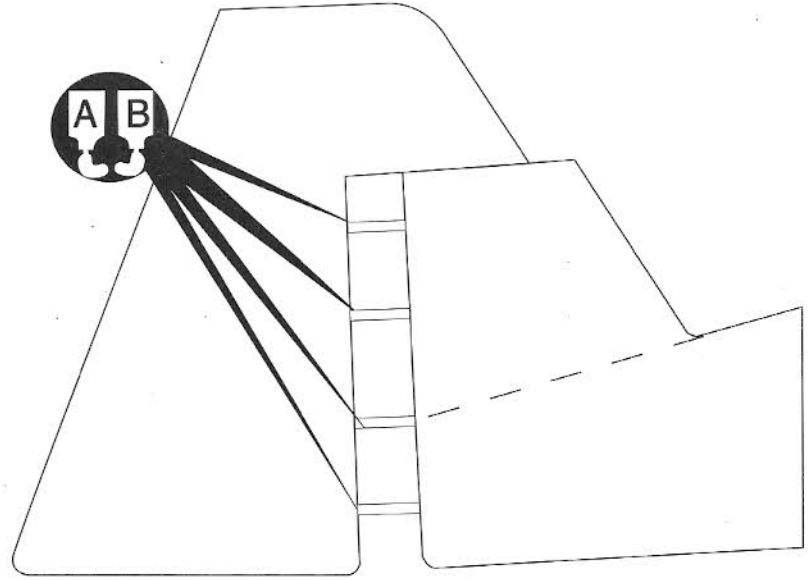
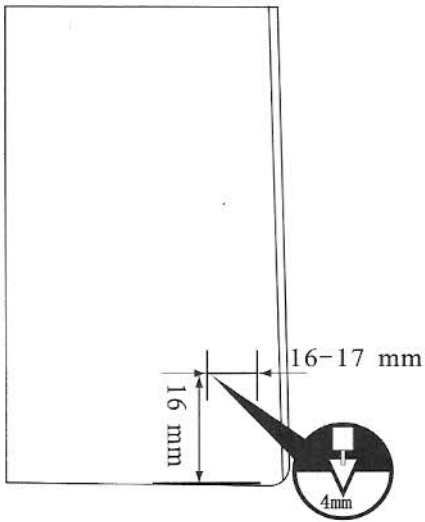
3 Horizontal Tail



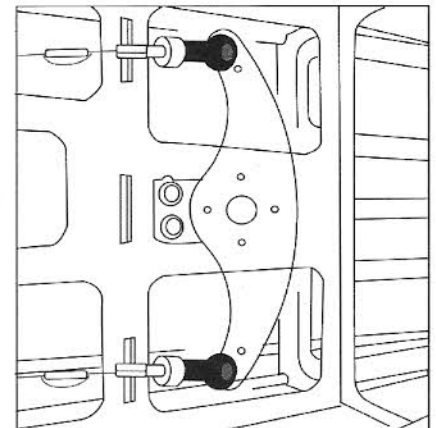
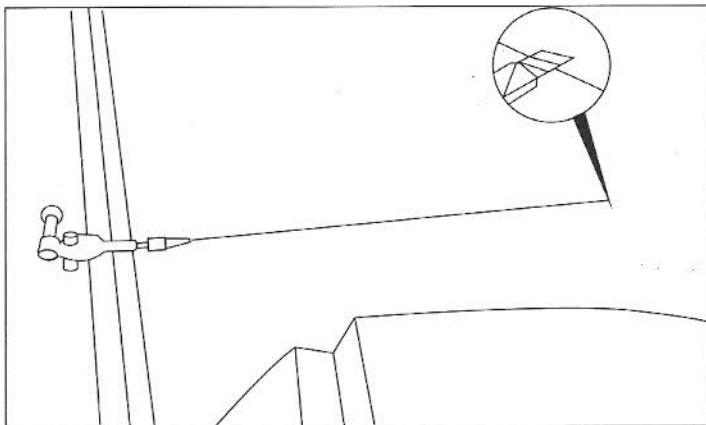
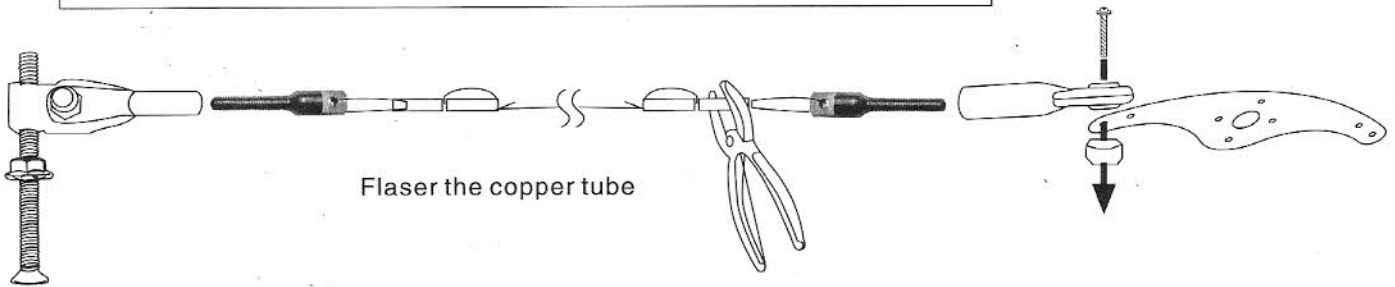
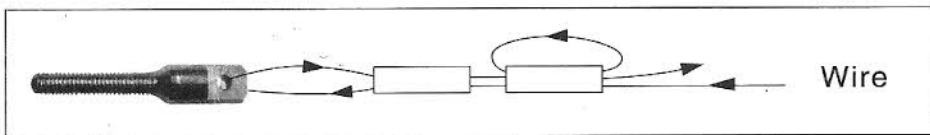
4 Elevator servo



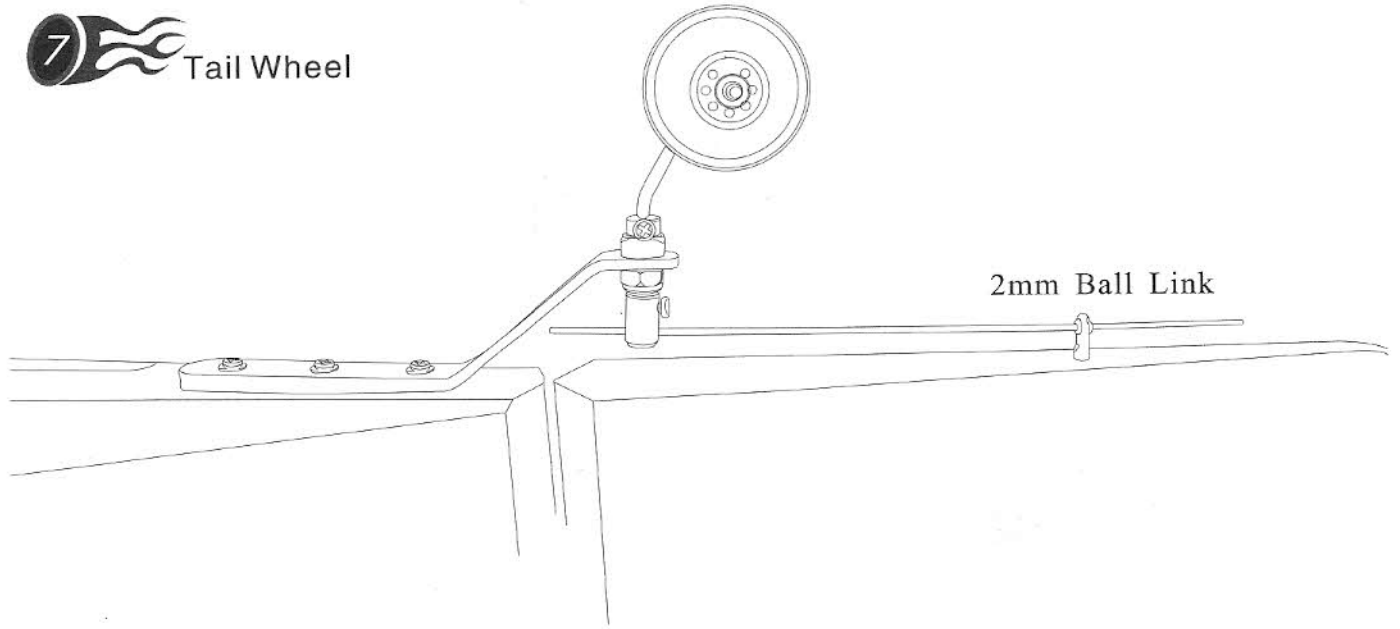
5 Vertical Tail



6 Rudder servo



7 Tail Wheel



8 Main Landing Gear

